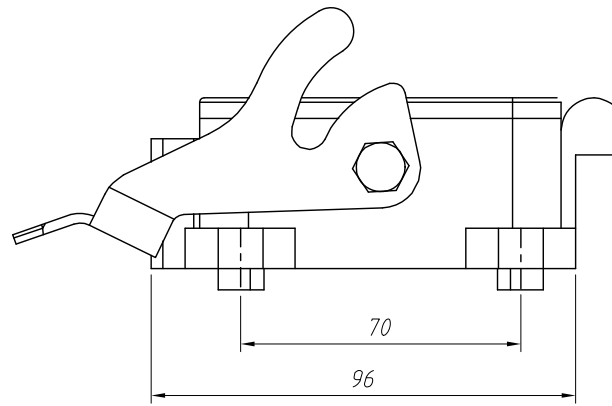
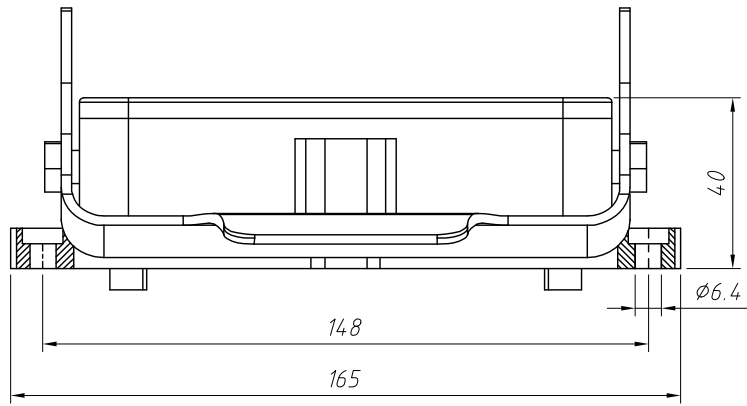
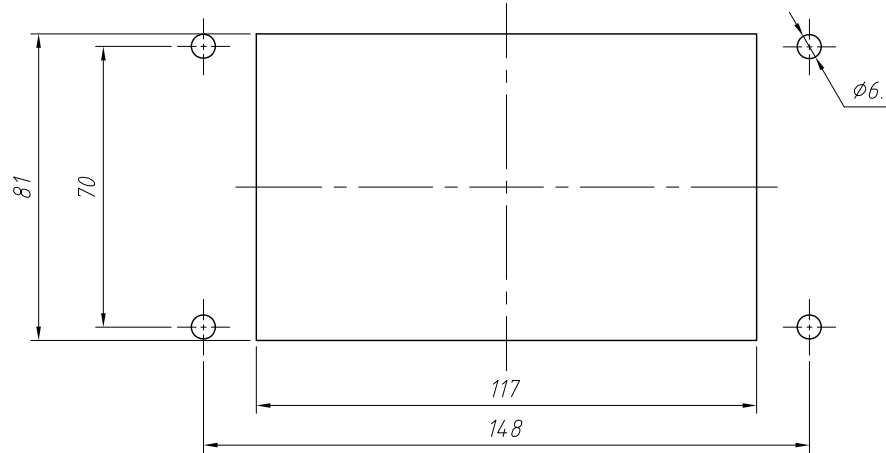


RoHS Compliance

REV	SYM	Revision Record	Appr.	Date
V0	KLS01695	New Version Release	WuHao	2025-07-05



Material:
 Housing: Aluminium Die-Cast, UL 94V-0
 Surface: Powder-Coated
 Colour: RAL 7037 (Grey)
 Temperatures range: -40°C ~ +125°C
 Degree of protection: IP65
 (Acc. to IEC 60529 for coupled Connector)
 Locking Element:
 Locking Type: Single Locking Latch
 Material: Stainless Steel
 Hoods/Housings Sealing: NBR

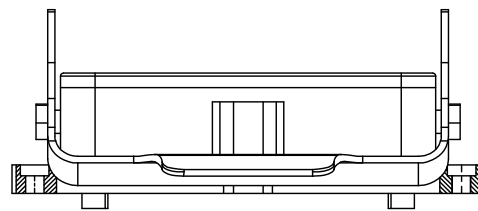
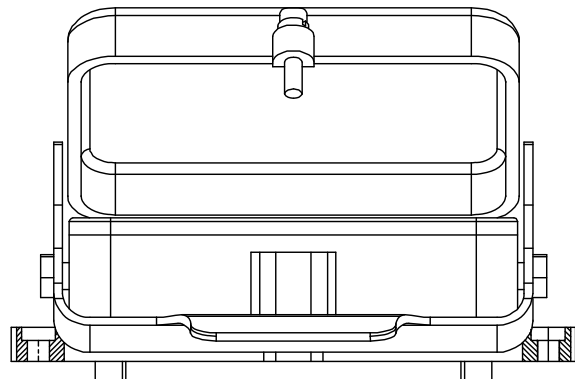


Order Information:
 L-KLS1-H48B-BK-1L (XX)

L: RoHS
 H48B series
 Cable entry:
 BK: bulkhead mounting
 1L: Single locking latch
 C: Plastic cover
 MC: Metal cover

ITEM	Describe
L-KLS1-H48B-BK-1L	Without cover
L-KLS1-H48B-BK-1LC	With Plastic cover
L-KLS1-H48B-BK-1LMC	With Metal cover

Panel Hole Diagram



With Metal / Plastic cover

Without cover

ANGLE TOLERANCE	PROJECTION	Description:	Heavy Duty Connectors	
±3°			H48B Series Hoods, Bulkhead Mounting	
GENERAL TOLERANCE	UNITS	mm	KLS P/N:	L-KLS1-H48B-BK-1L (XX)
x.x ±0.30	SHEET SIZE	A4		
x.xx ±0.20	Draw:	WuHao	2025-07-05	NingBo KLS ELECTRONIC CO.,L.TD.
x.xxx ±0.10	Check:	Daniel	2025-07-05	